

N°	DESCRIPTION	QTE	Masse	Lg sous tête	Total
1		1	123.01		123.01
2		1	101.73		101.73
3		1	111.84		111.84
4		1	13.13	18	13.13
5		1	11.92	10	11.92
Masse total					362gr

UNLESS OTHERWISE SPECIFIED: DIMENSIONS ARE IN MILLIMETERS SURFACE FINISH: TOLERANCES: LINEAR: ANGULAR:				FINISH:		DEBUR AND BREAK SHARP EDGES		DO NOT SCALE DRAWING		REVISION			
						<h1>Reporter</h1>							
						<h1>Montage</h1>							
						DWG NO.				A4			
						WEIGHT: gr				SCALE:1:1		SHEET 1 OF 5	

	NAME	SIGNATURE	DATE				
DRAWN							
CHK'D							
APPV'D							
MFG							
Q.A							

TITLE:					
<h1>Reporter</h1>					
DWG NO.					
<h1>Montage</h1>					
SCALE:1:1					
SHEET 1 OF 5					

1 2 3 4 5 6

A

A

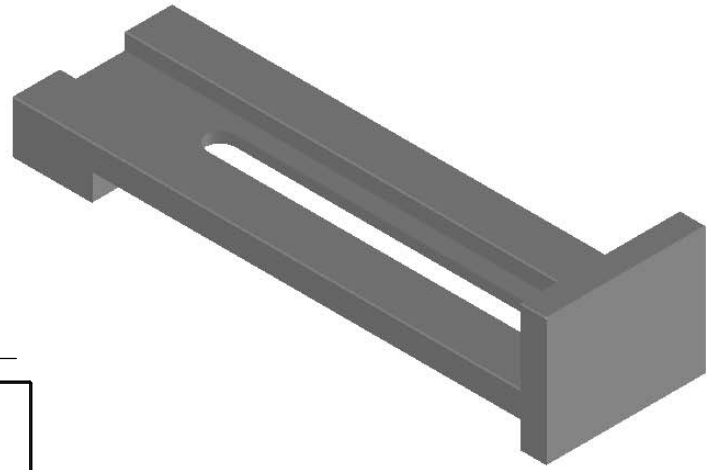
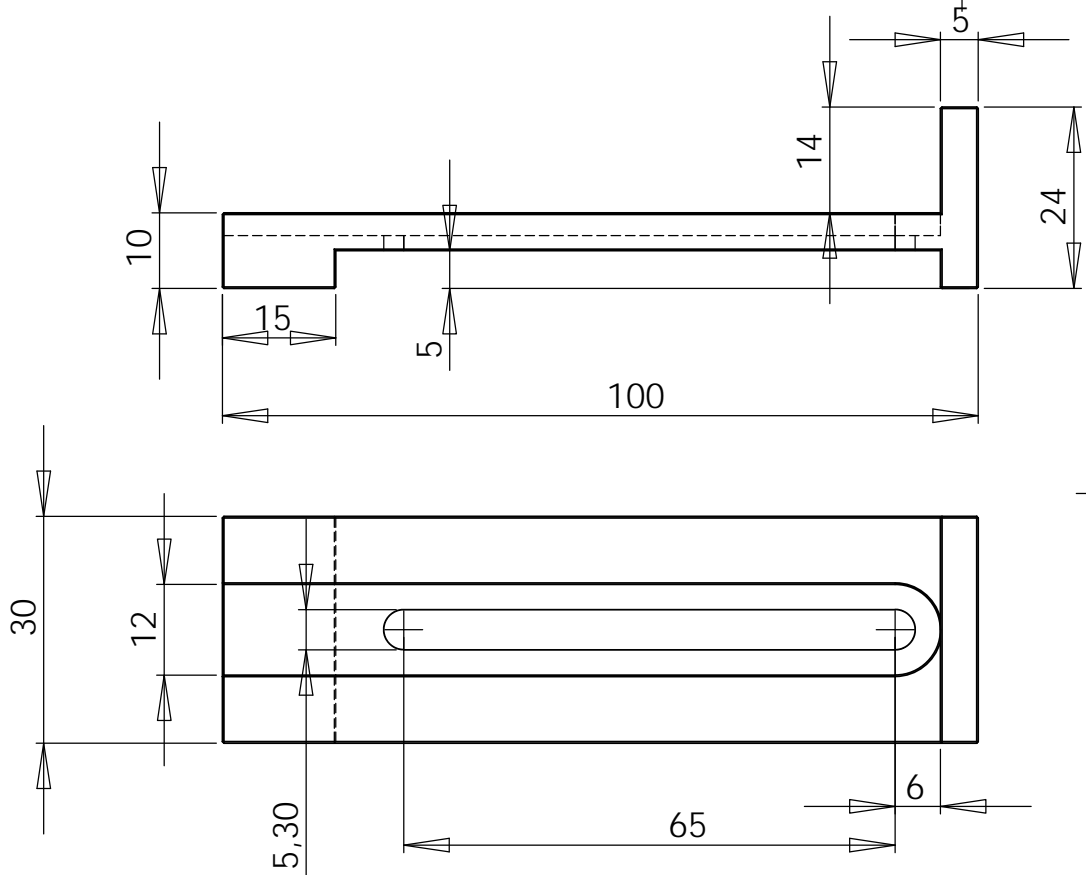
B

B

C

C

D



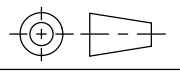
UNLESS OTHERWISE SPECIFIED:
 DIMENSIONS ARE IN MILLIMETERS
 SURFACE FINISH:
 TOLERANCES:
 LINEAR:
 ANGULAR:

FINISH:
 Casser les arrêtes

DEBUR AND
 BREAK SHARP
 EDGES

DO NOT SCALE DRAWING

REVISION



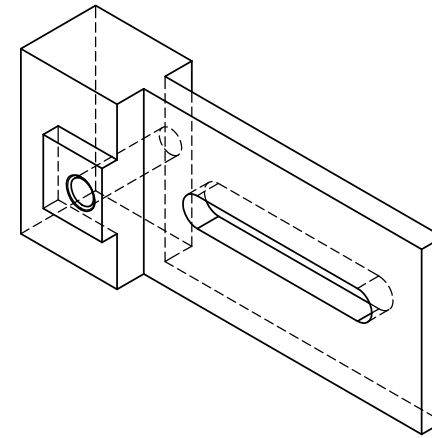
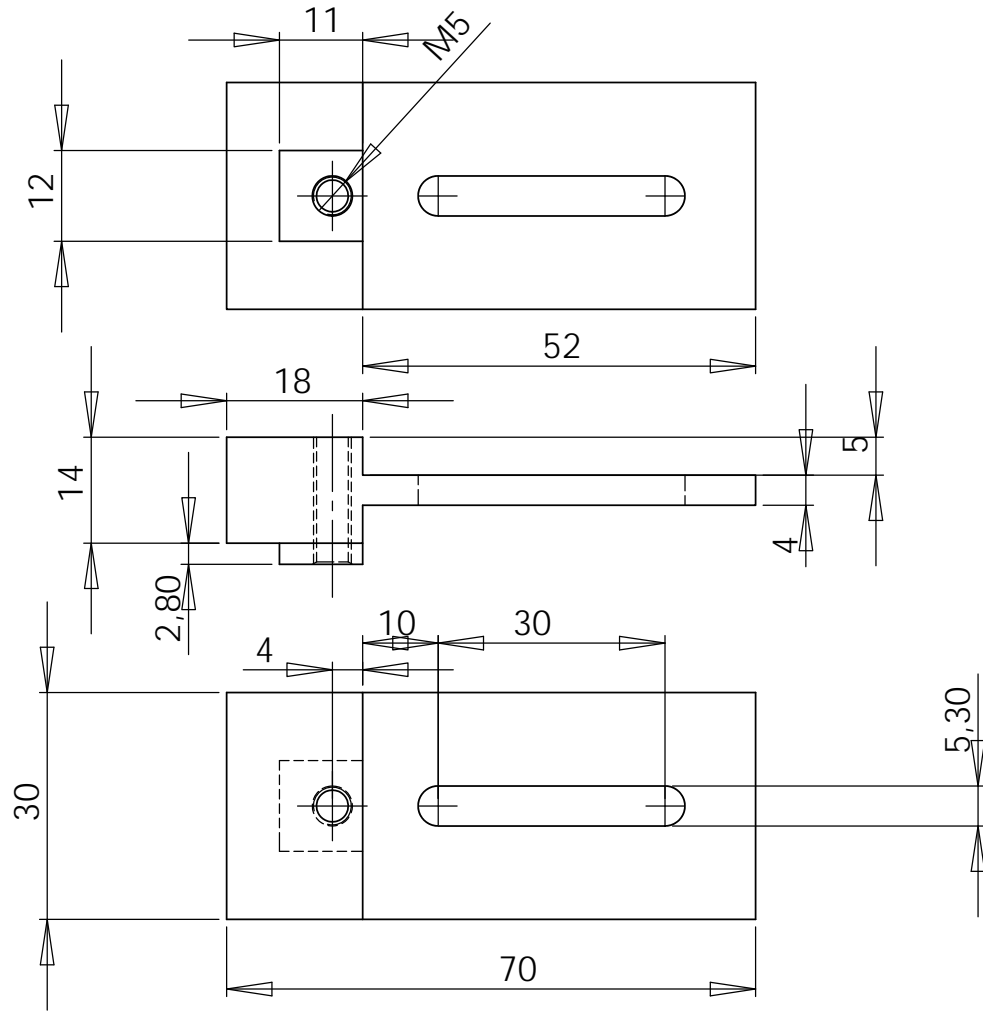
	NAME	SIGNATURE	DATE		
DRAWN					
CHK'D					
APPV'D					
MFG					
Q.A					
				MATERIAL:	
				Acier allié	

TITLE:

Reporter

DWG NO. **Pièce 1**

A4

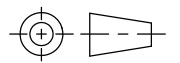


UNLESS OTHERWISE SPECIFIED:
 DIMENSIONS ARE IN MILLIMETERS
 SURFACE FINISH:
 TOLERANCES:
 LINEAR:
 ANGULAR:

FINISH:
 DEBUR AND
 BREAK SHARP
 EDGES

DO NOT SCALE DRAWING

REVISION



	NAME	SIGNATURE	DATE		
DRAWN					
CHK'D					
APPV'D					
MFG					
Q.A					

TITLE:
Reporter

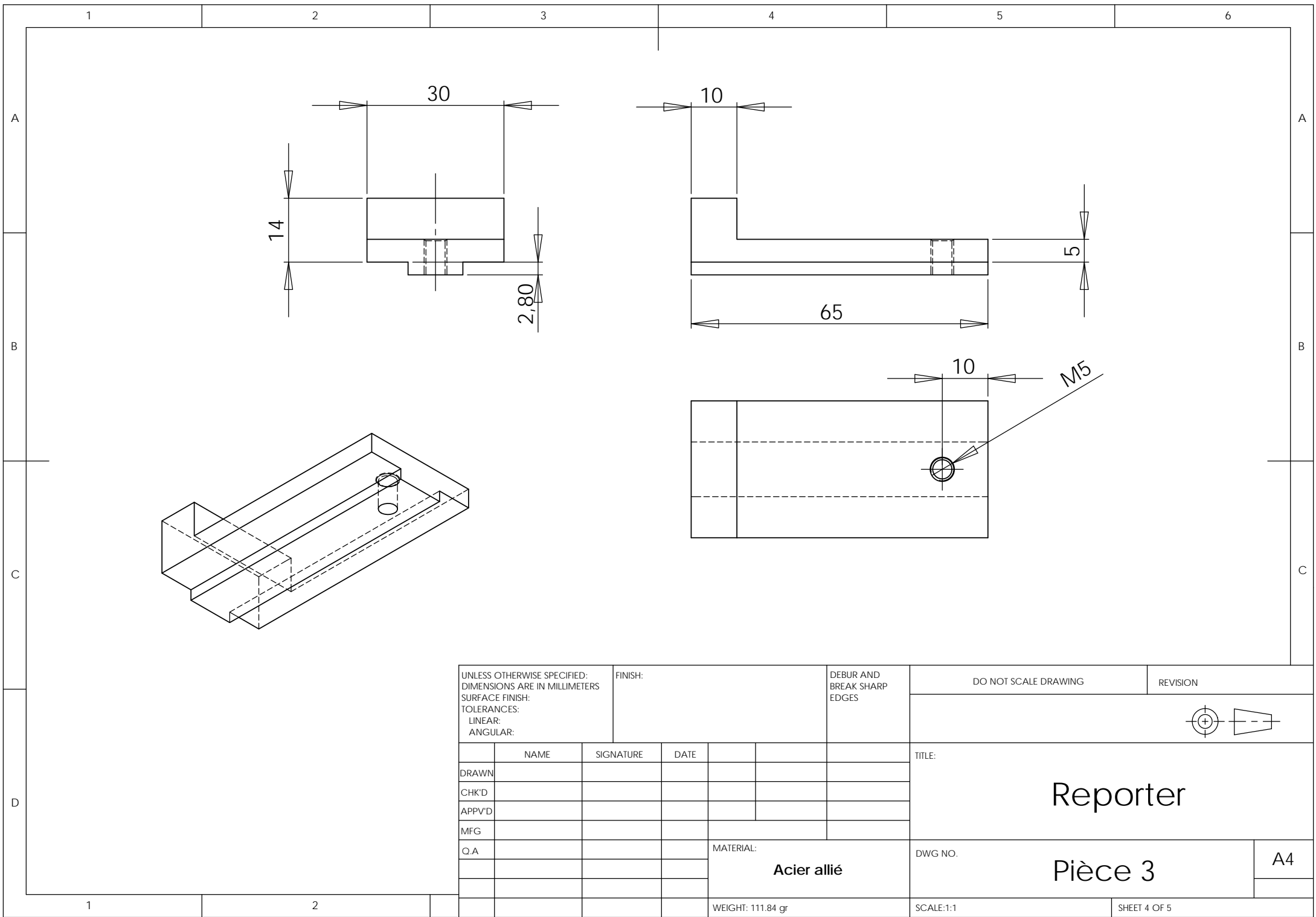
DWG NO. **Pièce 2**

A4

WEIGHT: 101.73 gr

SCALE:1:1

SHEET 3 OF 5



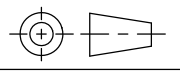
UNLESS OTHERWISE SPECIFIED:
 DIMENSIONS ARE IN MILLIMETERS
 SURFACE FINISH:
 TOLERANCES:
 LINEAR:
 ANGULAR:

FINISH:

DEBUR AND
 BREAK SHARP
 EDGES

DO NOT SCALE DRAWING

REVISION



	NAME	SIGNATURE	DATE		
DRAWN					
CHK'D					
APPV'D					
MFG					
Q.A					

TITLE:

Reporter

MATERIAL:
Acier allié

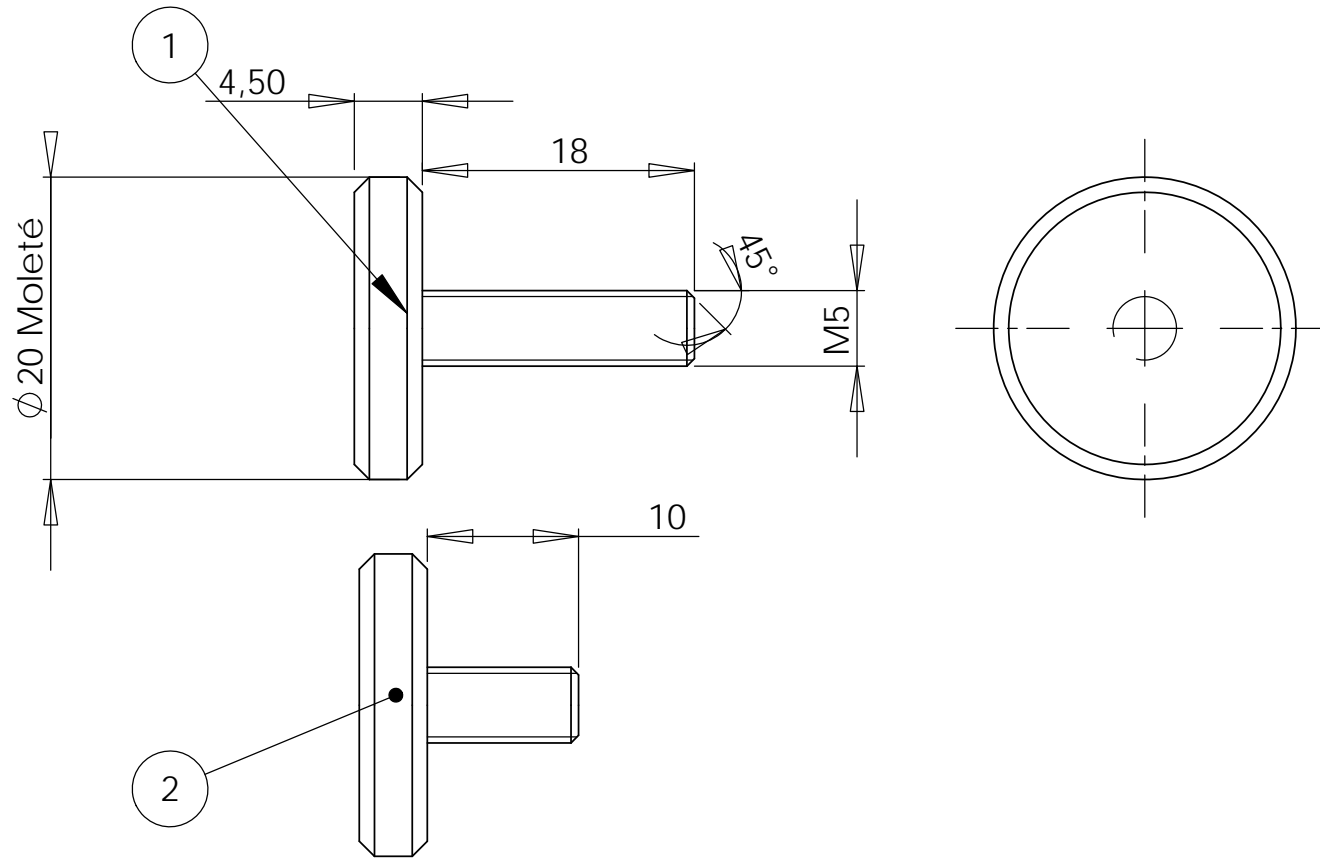
DWG NO. **Pièce 3**

A4

WEIGHT: 111.84 gr

SCALE:1:1

SHEET 4 OF 5



UNLESS OTHERWISE SPECIFIED: DIMENSIONS ARE IN MILLIMETERS				FINISH:		DEBUR AND BREAK SHARP EDGES		DO NOT SCALE DRAWING		REVISION	
SURFACE FINISH:											
TOLERANCES:											
LINEAR:											
ANGULAR:											
	NAME	SIGNATURE	DATE			TITLE:					
DRAWN						Reporter					
CHK'D											
APPV'D											
MFG											
Q.A											
					MATERIAL:	Acier allié		DWG NO.		Pièce 4	
										A4	
					WEIGHT: 13.13 gr			SCALE:2:1		SHEET 5 OF 5	