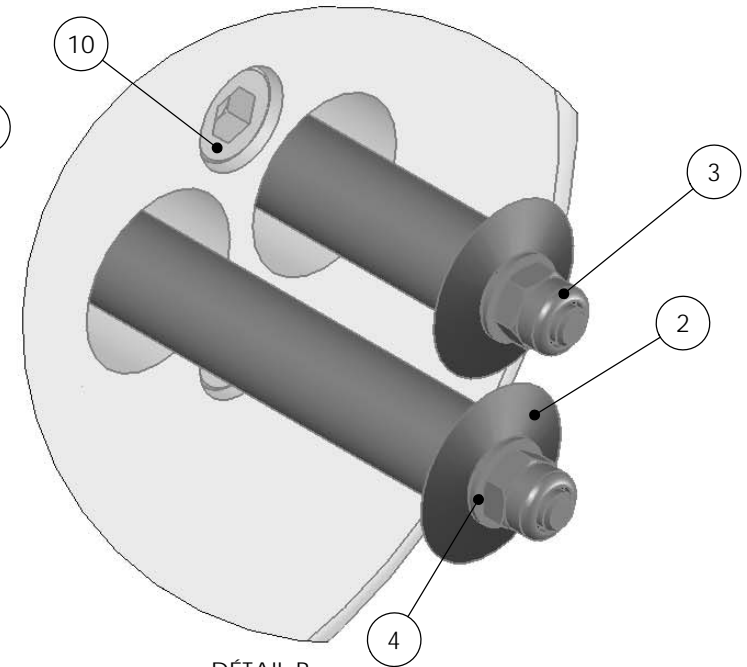
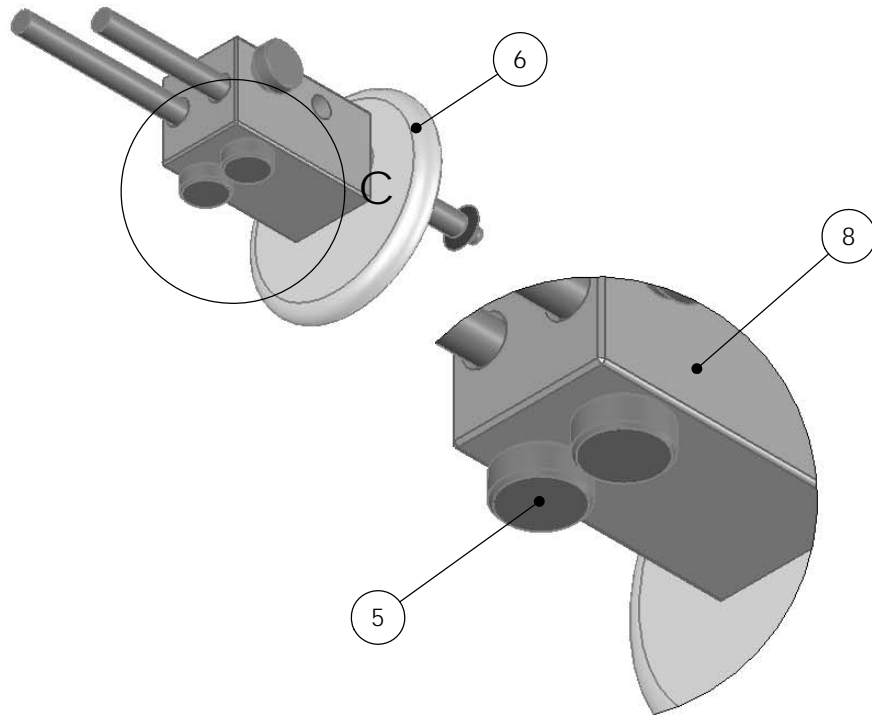


DÉTAIL A



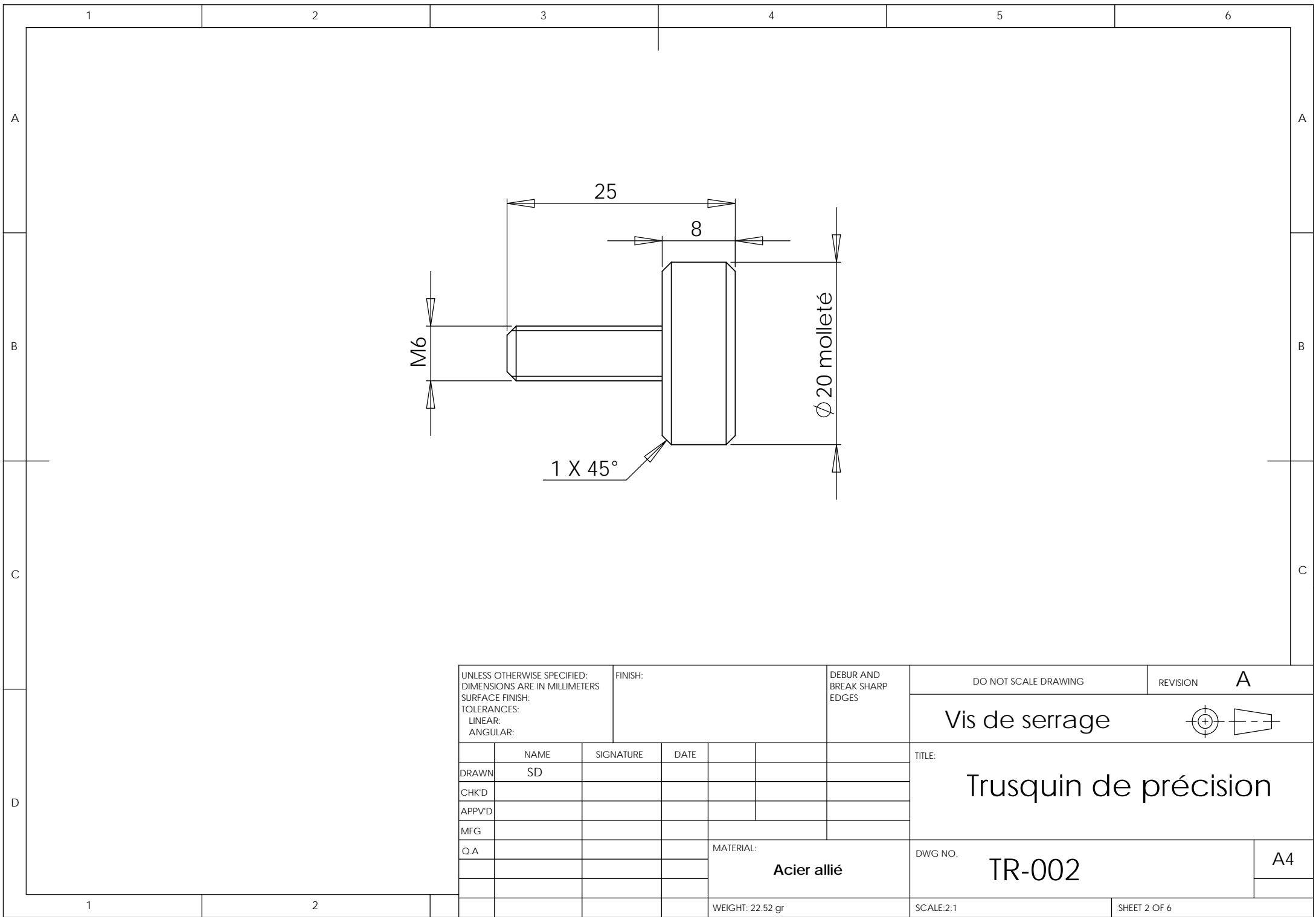
DÉTAIL B
ECHELLE 2 : 1



DÉTAIL C

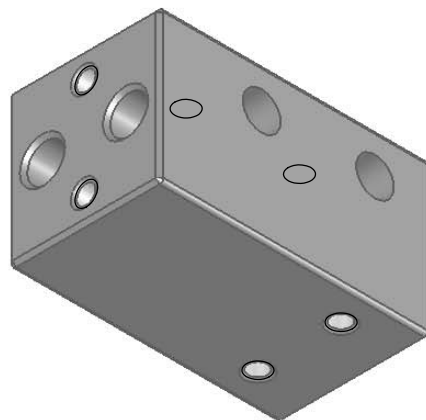
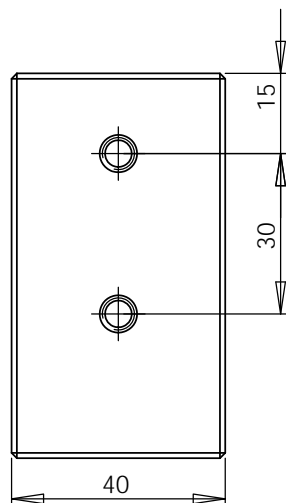
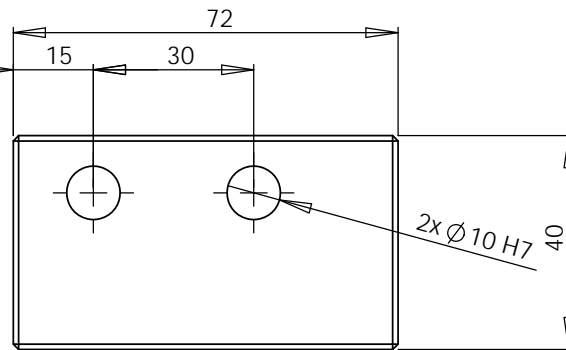
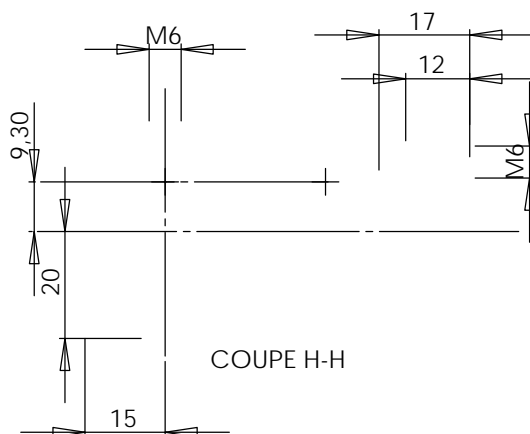
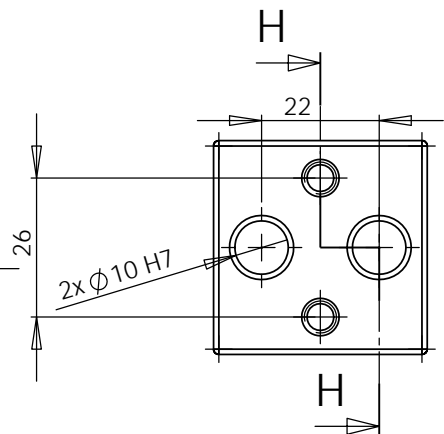
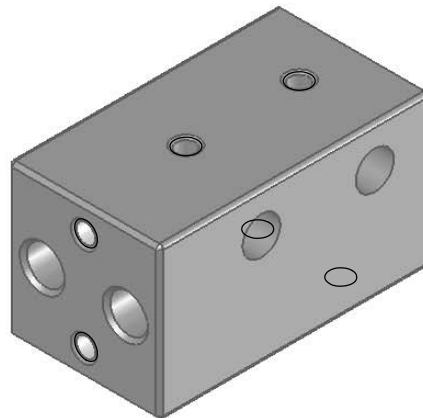
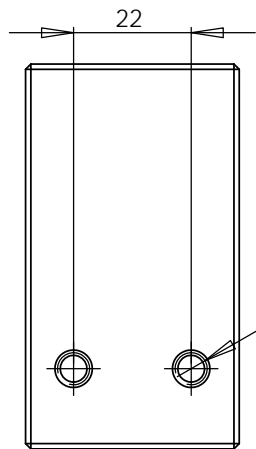
No. article	PartNo	DESCRIPTION	OF/OA	QTE
1	TR-006	Tige de guidage	OF	2
2		Molette pour traçage	OA	2
3		Vis maintien molette	OA	2
4		Rondelle plate M4	OA	2
5	TR-002	Vis de serrage	OF	2
6	TR-004	Support guidage bois	OF	1
7	TR-005	Vis de réglage	OF	2
8	TR-003	Support de guidage	OF	1
9		Vis à téton CHc M6x8	OA	2
10		Vis CHc M6x16	OA	2

UNLESS OTHERWISE SPECIFIED: DIMENSIONS ARE IN MILLIMETERS SURFACE FINISH: TOLERANCES: LINEAR: ANGULAR:		FINISH:	DEBUR AND BREAK SHARP EDGES	DO NOT SCALE DRAWING	REVISION A
DRAWN	NOM	SIGNATURE	DATE	PROJET :	
CHK'D	SD			Trusquin de précision	
APP'VD					
MFG					
Q.A					
			MATIERE :	No PLAN	TR-001
			WEIGHT:	ECHELLE :1:1	A3
				PLAN 1 OF 6	

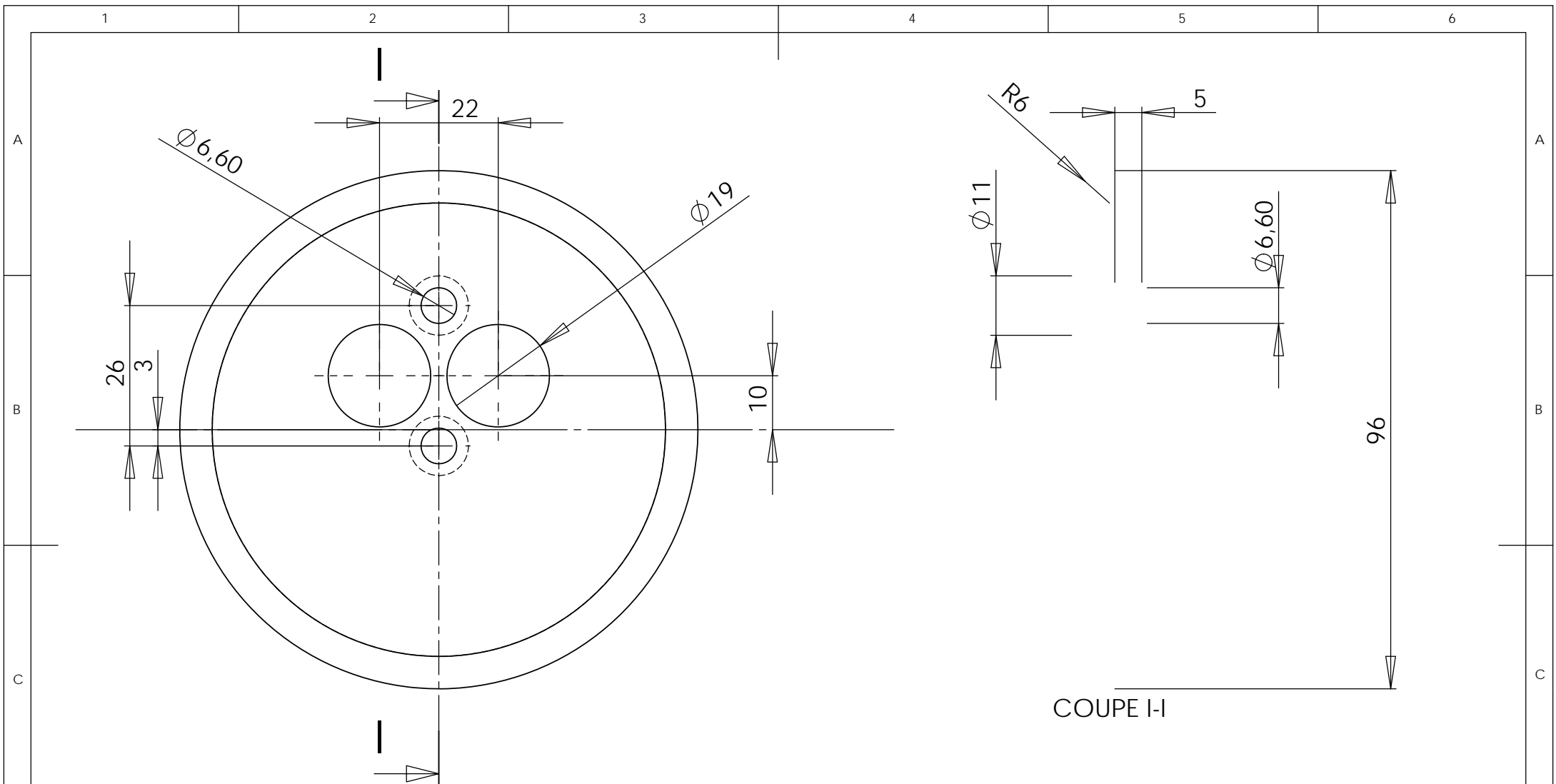


UNLESS OTHERWISE SPECIFIED: DIMENSIONS ARE IN MILLIMETERS		FINISH:		DEBUR AND BREAK SHARP EDGES	
SURFACE FINISH:					
TOLERANCES:					
LINEAR:					
ANGULAR:					
	NAME	SIGNATURE	DATE		
DRAWN	SD				
CHK'D					
APPV'D					
MFG					
Q.A				MATERIAL:	
				Acier allié	
				WEIGHT: 22.52 gr	

DO NOT SCALE DRAWING		REVISION A	
Vis de serrage			
TITLE: Trusquin de précision			
DWG NO. TR-002		A4	
SCALE: 2:1		SHEET 2 OF 6	



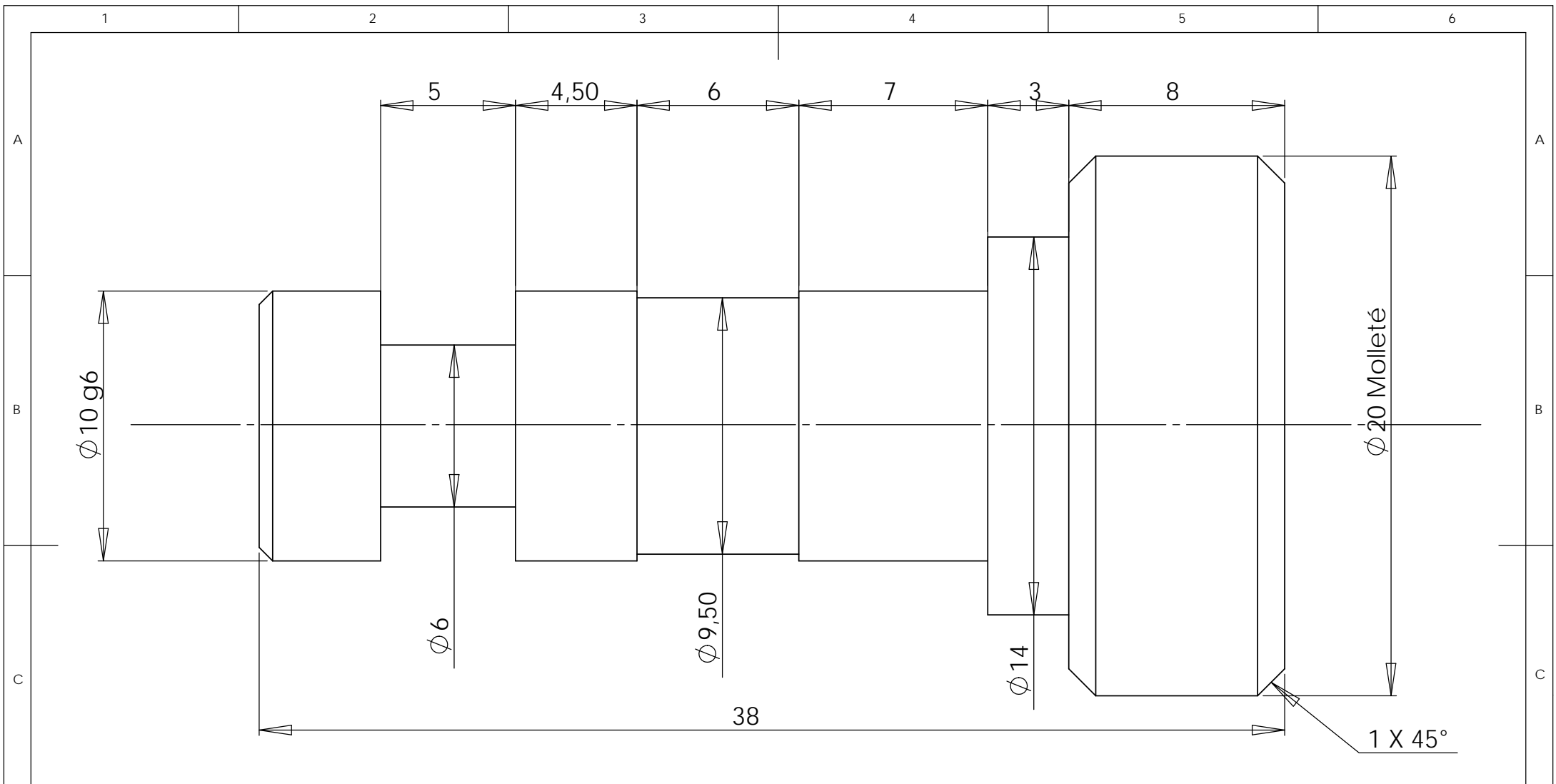
UNLESS OTHERWISE SPECIFIED: DIMENSIONS ARE IN MILLIMETERS SURFACE FINISH: TOLERANCES: LINEAR: ANGULAR:		FINISH:		DEBUR AND BREAK SHARP EDGES		DO NOT SCALE DRAWING		REVISION A		
						Support de guidage				
						PROJET :				
						Trusquin de précision				
						MATERIE : Alliage 2018		No PLAN TR-003		A3
						WEIGHT: 268,26 gr		ECHELLE :1:1		PLAN 3 OF 6



COUPE I-I

UNLESS OTHERWISE SPECIFIED: DIMENSIONS ARE IN MILLIMETERS SURFACE FINISH: TOLERANCES: LINEAR: ANGULAR:				FINISH:		DEBUR AND BREAK SHARP EDGES	
DRAWN				NAME	SIGNATURE	DATE	
CHK'D							
APPV'D							
MFG							
Q.A							
				MATERIAL:			
				ABS			
				WEIGHT: 75.33 gr			

DO NOT SCALE DRAWING		REVISION		A	
Support guidage bois					
TITLE: Trusquin de précision					
DWG NO.		TR-004		A4	
SCALE:1:1		SHEET 4 OF 6			



UNLESS OTHERWISE SPECIFIED:
 DIMENSIONS ARE IN MILLIMETERS
 SURFACE FINISH:
 TOLERANCES:
 LINEAR:
 ANGULAR:

FINISH:

DEBUR AND
 BREAK SHARP
 EDGES

DO NOT SCALE DRAWING REVISION **A**

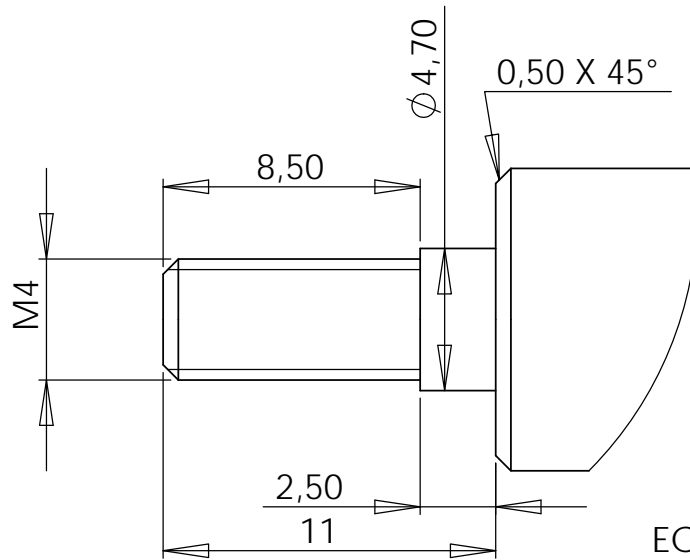
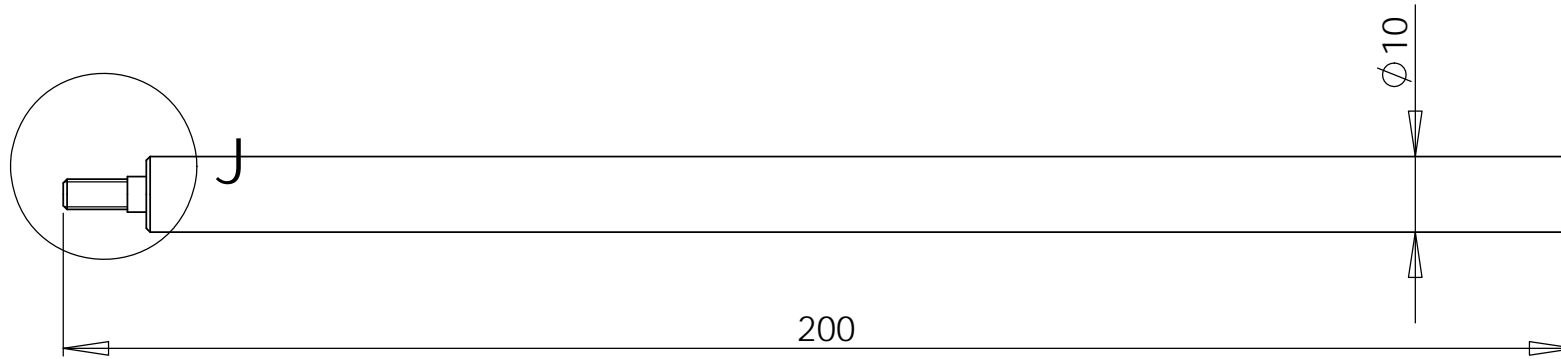
Vis de réglage

	NAME	SIGNATURE	DATE		
DRAWN	SD				
CHK'D					
APPV'D					
MFG					
Q.A					

TITLE:
Trusquin de précision

MATERIAL:
Acier allié

DWG NO. **TR-005** **A4**



DÉTAIL J
ECHELLE 4 : 1

UNLESS OTHERWISE SPECIFIED: DIMENSIONS ARE IN MILLIMETERS SURFACE FINISH: TOLERANCES: LINEAR: ANGULAR:				FINISH:		DEBUR AND BREAK SHARP EDGES	
DRAWN				NAME		MATERIAL:	
CHK'D				SIGNATURE		Acier allié inoxydable	
APPV'D				DATE		WEIGHT: 109.42 gr	
MFG						SCALE:1:1	
Q.A						SHEET 6 OF 6	

DO NOT SCALE DRAWING		REVISION	
		A	
Tige de guidage			
TITLE: Trusquin de précision			
DWG NO.		A4	
TR-006			